

# VB21S

## WDR Mini Bullet Camera



VB21S-W36



VB21S-B36



VB21S-P37P



VB21S-P37C



VB21S-H36



VB21S-R36



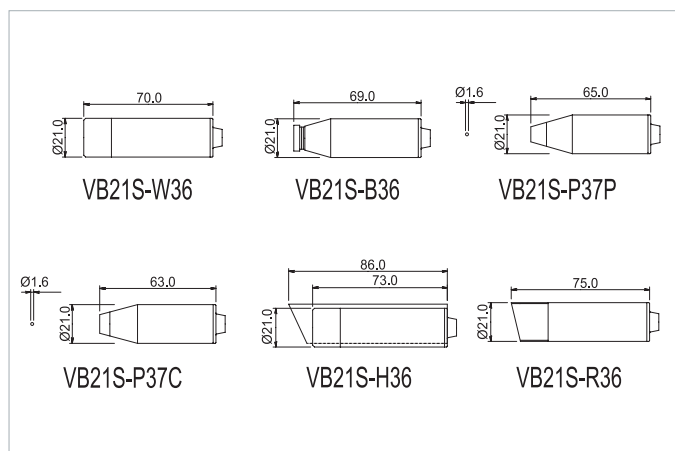
### Special Features

- World's smallest with WDR and 2D/3D DNR
- User-friendly housing mechanism makes a wide range of different focal lens interchangeable
- Compact design offers world's best video quality like standard camera

### General Features

- Super Wide Dynamic
- 600TVL(Day)/650TVL(Night)
- 2D/3DNR(Noise Reduction)
- DIS(Digital Image Stabilizer)
- IP67 Weatherproof
- 12VDC

### Dimension



MODEL	VB21S
Image sensor	1/3" Sony Super HAD CCD II
Effective Pixels	NTSC : 768(H) x 494(V) PAL : 752(H) x 582(V)
H. Resolution	600 TV Lines(Day) / 650 TV Lines(Night)
Synchronizing system	Internal
Scanning system	NTSC : 525 Lines PAL : 625 Lines 2:1 Interlaced
Video output	1.0Vp-p Composite 75 Ohms
S/N ratio	More than 52dB (AGC Off)
Min. Illumination	0.1Lux at F1.2(Sens-up Off), 0.0001Lux at F1.2(Sens-up, x 512)
Shutter Speed	NTSC: 1/60~1/100,000 sec. PAL: 1/50~1/100,000 sec.
Gamma Correction	Standard $\gamma = 0.45$
White Balance	1,800°K ~ 11,000°K Auto ATW/Push Lock/Manual selectable by OSD
Gain Control	Standard : -6dB ~ 34dB Auto / Maximum by OSD
Smear Effect	0.005%
Power source	12VDC
Operating current	120mA
MTBF	80,000 hours
Lens	Board lens : 3.6mm(92°) Board lens option : 2.5mm(145°), 2.9mm(120°), 4.3mm(78°), 6.0mm(54°), 8mm(39°) 12.0mm(26°), 16mm(19°) Pinhole Lens Option Peak Cone : 2.8mm(130°), 3.7mm(90°), 5.0mm(78°) Semi Cone : 2.8mm(130°), 3.7mm(90°), 5.0mm(78°)
Iris Control	Auto
Operating temp./Humidity	-10°C ~ 50°C (Humidity : 0%RH ~ 90%RH)
Measurement (mm)	Refer to dimensions
Weight (Approx.g)	180

Function	
WDR	Off / On (User selectable by OSD)
2D/3DNR	Off / On (User selectable by OSD)
Sens-up	Off / 2x ~ 512x
Motion Detection	On/Off (8 Zone setting available)
Digital Zoom	Off, X1 ~ X8.30
White Balance	Auto (ATW) / Push Lock / User Selectable
Privacy Mask	Off / On (8 Zone setting available)